

# Cable glands & accessories

## Taurus™ Cable Glands

### TE1W Range – Taurus™ E1W Premier Range Brass Cable Gland Pack

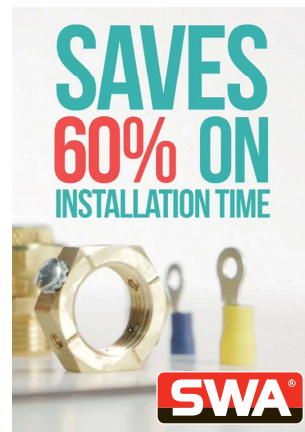


**Application:** Brass indoor and outdoor gland suitable for all types of steel wire armoured cable (SWA), providing an environmental seal on both the cable inner and outer sheaths. The gland also provides mechanical cable retention and electrical continuity via armour wire termination.

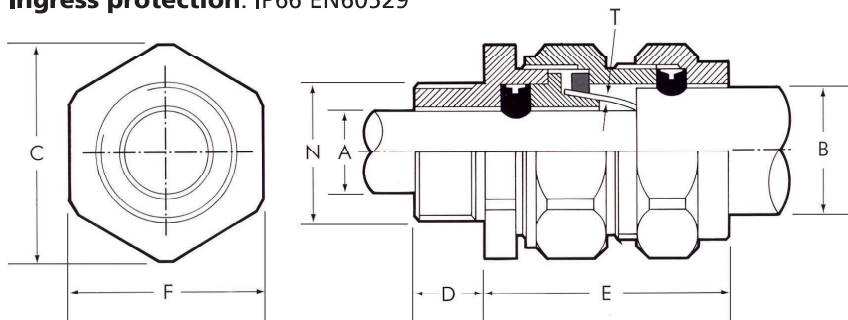
**Operating temp:** -20°C to +80°C

**Approval:** BS EN 62444:2013

**Ingress protection:** IP66 EN60529



**Complete with award-winning EarthingNut™**  
INNOVATIVE POWER  
PRODUCT OF THE YEAR



Part No.	Pack Quantity	Entry Thread		Cable Acceptance Details			Hexagonal Details		Assembled Length
		Diameter N	Length D	Diameter A min max	Diameter B min max	Armour wire size T	A/F	A/C	E
TE1W20/16* PACK-EN	2	20	15	3.5 - 9.0	8.4 - 13.8	0.90	22.0	24.4	40.0
TE1W20S* PACK-EN	2	20	15	8.0 - 11.8	12.9 - 15.8	0.90/1.25	24.0	26.6	42.0
TE1W20* PACK-EN	2	20	15	11.0 - 13.8	15.5 - 20.0	0.90/1.25	30.0	33.3	43.0
TE1W25* PACK-EN	2	25	15	13.0 - 19.8	20.3 - 27.5	1.25/1.60	38.0	42.2	46.0
TE1W32* PACK-EN	2	32	15	19.0 - 26.4	26.7 - 33.5	1.60/2.00	46.0	51.0	50.0
TE1W40* PACK-EN	1	40	20	25.0 - 32.4	33.0 - 40.9	1.60/2.00	55.0	61.0	54.5
TE1W50S* PACK-EN	1	50	20	31.5 - 38.0	39.4 - 46.3	2.00/2.50	60.0	66.6	57.5
TE1W50* PACK-EN	1	50	20	36.5 - 44.0	45.7 - 52.6	2.00/2.50	65.0	72.1	57.5
TE1W63S* PACK-EN	1	63	20	42.5 - 49.0	52.1 - 61.5	2.50	75.0	83.2	63.0
TE1W63* PACK-EN	1	63	20	48.5 - 55.5	58.4 - 65.3	2.50	80.0	88.8	63.0
TE1W75S* PACK-EN	1	75	20	54.5 - 62.0	64.8 - 73.0	2.50	90.0	100.0	68.0
TE1W75* PACK-EN	1	75	20	60.5 - 67.0	71.0 - 78.0	2.50	95.0	105.4	68.0

All dimensions are in mm.

Pack content: Gland(s), shroud(s), EarthingNut™(s) and crimp terminations.  
Packs are also available with Low-smoke LSF shroud.

\*Add LSF to the Part No. for Low Smoke & Fume version, i.e. TE1W20/16LSF PACK-EN

To see a video showing a demonstration, scan this QR code

