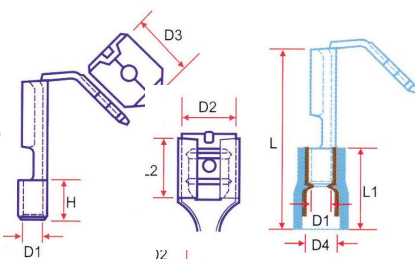


Cable terminations

Pre-insulated terminals

Piggy Back – Push-on

Material: Brass - Tin Plated
Insulation: Polyvinyl Chloride
 Max. elec. rating: ● 10 amp
 300 volts 75°C
 Vibration resistant
 RoHS compliant



To see a video explaining techniques and best practice scan the QR code



Wire Range mm ² (AWG)	Part No.	Dimensions in mm								
		D1	D2	D3	D4	L	L1	L2	H	Tab size
● 0.5-1.5 (22-16)	63RPIG	1.8	6.6	8.0	4.3	20.0	10.0	7.5	5.5	6.3 X 0.8

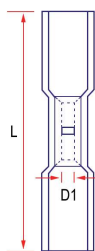
Pack Quantity: 100

Un-insulated Piggy Back Terminals available on request
 (subject to M.O.Q.)



Heatshrink Butt Splice Connectors

Material: Copper, Tubular
Insulation: High Density Polyethylene
 Max. elec. rating: ● 19 amp
 600 volts Heat shrink temp 150°C
 Resistant temp -10°C to +105°C
 RoHS compliant

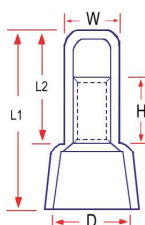


Wire Range mm ² (AWG)	Part No.	Dimensions in mm	
		L	D1
● 0.5-1.5 (22-16)	15BSL/HS	35	1.8

Pack Quantity: 100

End Splices

Material: Copper
Insulation: Nylon 6/6
 Max. elec. rating: ● 19 amp
 600 volts 75°C
 Insulation Colour: Neutral
 RoHS compliant



Wire Range mm ² (AWG)	Part No.	Dimensions in mm			
		L1	L2	W	H
0.5-1.5 (22-16)	15NES	18.0	12.0	4.75	6.55

Pack Quantity: 100

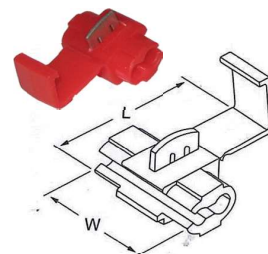
Snap Connectors

Material: Brass, Tin Plated
Insulation: Polypropylene
 600 volts 105°C

Snap-connectors provide quick, reliable connections with a quick snap and squeeze

- No special tools needed – no cable stripping required simply squeeze and snap-fit
- Colour coded for easy identification
- A dependable and reliable electrical connection

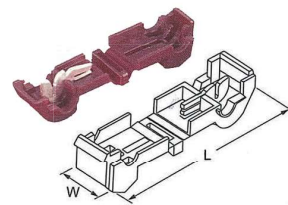
Max. elec. rating: ● 10 amp



Wire Range mm ² (AWG)	Part No.	Dimensions in mm	
		W	L
● 0.5-1.0 (22-18)	SC1.5	19.0	29.0

Pack Quantity: 100

Tap Nylon Insulated Self-Stripping connectors used to electrically tap into a wire in mid-span without cutting or stripping the wire
 Max. elec. rating: ● 10 amp



Wire Range mm ² (AWG)	Part No.	Dimensions in mm	
		W	L
● 0.5-1.0 (22-18)	SC1.5/TAP	10.0	38.0

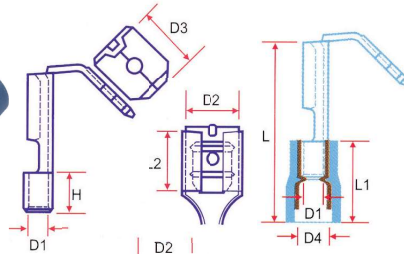
Pack Quantity: 100

Cable terminations

Pre-insulated terminals

Piggy Back – Push-on

Material: Brass - Tin Plated
Insulation: Polyvinyl Chloride
 Max. elec. rating: ● 15 amp
 300 volts 75°C
 Vibration resistant
 RoHS compliant



To see a video explaining techniques and best practice scan the QR code



Wire Range mm ² (AWG)	Part No.	Dimensions in mm								
		D1	D2	D3	D4	L	L1	L2	H	Tab size
● 1.5-2.5 (16-14)	63BPIG	2.3	6.6	8.0	4.8	20.0	10.0	7.5	5.5	6.3 X 0.8

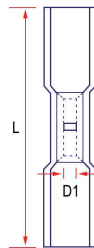
Pack Quantity: 100

Un-insulated Piggy Back Terminals available on request
 (subject to M.O.Q.)



Heatshrink Butt Splice Connectors

Material: Copper, Tubular
Insulation: High Density Polyethylene
 Max. elec. rating: ● 27 amp
 600 volts Heat shrink temp 150°C
 Resistant temp -10°C to +105°C
 RoHS compliant

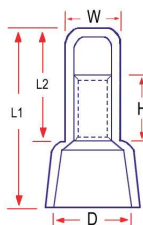


Wire Range mm ² (AWG)	Part No.	Dimensions in mm	
		L	D1
● 1.5-2.5 (16-14)	25BSL/HS	35	2.3

Pack Quantity: 100

End Splices

Material: Copper
Insulation: Nylon 6/6
 Max. elec. rating: ● 27 amp
 600 volts 75°C
 Insulation Colour: Neutral
 RoHS compliant



Wire Range mm ² (AWG)	Part No.	Dimensions in mm			
		L1	L2	W	H
1.5-2.5 (16-14)	25NES	21.0	15.0	5.40	6.80

Pack Quantity: 100

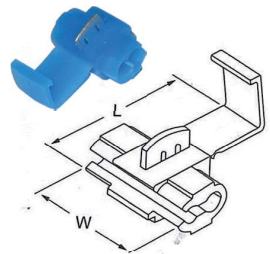
Snap Connectors

Material: Brass, Tin Plated
Insulation: Polypropylene
 600 volts 105°C

Snap-connectors provide quick, reliable connections with a quick snap and squeeze

- No special tools needed – no cable stripping required simply squeeze and snap-fit
- Colour coded for easy identification
- A dependable and reliable electrical connection

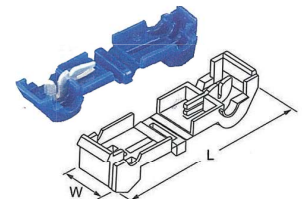
Max. elec. rating: ● 15 amp



Wire Range mm ² (AWG)	Part No.	Dimensions in mm	
		W	L
● 0.75-2.5 (18-14)	SC2.5	19.0	29.0

Pack Quantity: 100

Tap Nylon Insulated Self-Stripping connectors used to electrically tap into a wire in mid-span without cutting or stripping the wire
 Max. elec. rating: ● 27 amp



Wire Range mm ² (AWG)	Part No.	Dimensions in mm	
		W	L
● 0.75-2.5 (18-14)	SC2.5/TAP	10.0	38.0

Pack Quantity: 100



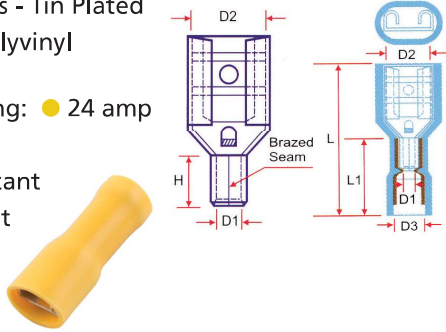
Cable terminations

Pre-insulated terminals

Fully Insulated Female Push-on

Material: Brass - Tin Plated
Insulation: Polyvinyl Chloride

Max. elec. rating: ● 24 amp
 300 volts 75°C
 Vibration resistant
 RoHS compliant



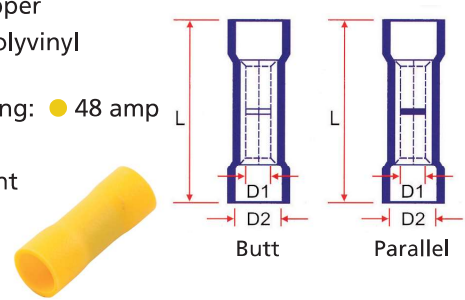
Wire Range mm ² (AWG)	Part No.	Dimensions in mm						
		D1	D2	D3	H	L	L1	Tab size
● 4-6 (12-10)	63YFPT	3.5	6.6	6.0	6.5	23.5	13.7	6.3 X 0.8
	95YFPT	3.5	10.0	6.0	6.5	30.0	13.7	9.5 X 1.2

Pack Quantity: 100

Butt & Parallel Splices

Material: Copper
Insulation: Polyvinyl Chloride

Max. elec. rating: ● 48 amp
 600 volts 75°C
 RoHS compliant



Butt Splices

Wire Range mm ² (AWG)	Part No.	Dimensions in mm		
		D1	D2	L
● 4-6 (12-10)	6BSL	3.5	6.6	26.0

Pack Quantity: 100

Parallel Splices

Wire Range mm ² (AWG)	Part No.	Dimensions in mm		
		D1	D2	L
● 4-6 (12-10)	6PSL	3.4	5.5	20.5

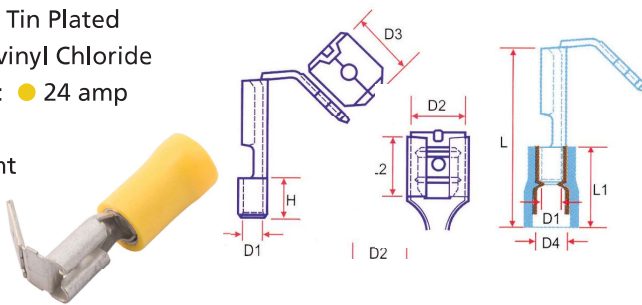
Pack Quantity: 100

Butt and parallel splices are available in vibration resistant versions (subject to M.O.Q).

Piggy Back – Push-on

Material: Brass - Tin Plated
Insulation: Polyvinyl Chloride

Max. elec. rating: ● 24 amp
 300 volts 75°C
 Vibration resistant
 RoHS compliant



Wire Range mm ² (AWG)	Part No.	Dimensions in mm								
		D1	D2	D3	D4	L	L1	L2	H	Tab size
● 4-6 (12-10)	63YPIG	3.5	6.6	8.0	6.5	24.0	13.5	7.5	6.5	6.3 X 0.8

Pack Quantity: 100

To see a video explaining techniques and best practice scan the QR code



Un-insulated Piggy Back Terminals available on request (subject to M.O.Q).

