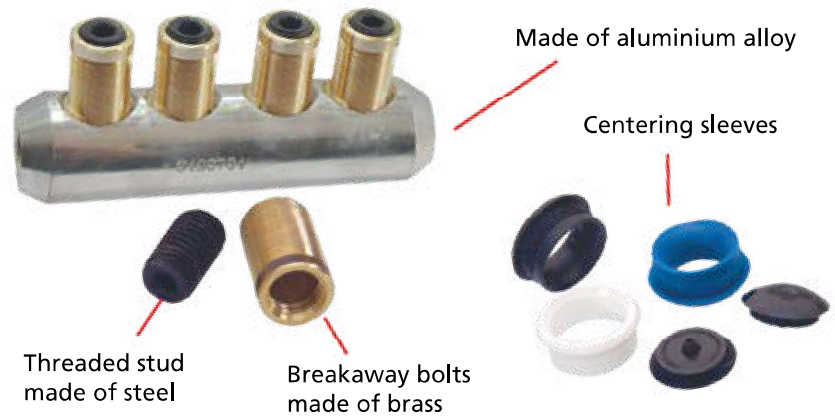


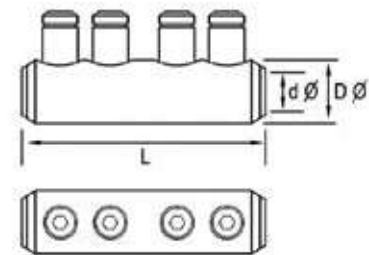
### Shear-Bolt Splice Connectors

Wide application range for each connector

- Can be used on copper or aluminium conductors up to 36kV
- Manufactured from aluminium alloy
- Reduces installation time, no need for crimp tools
- Tooling – impact driver required for installation



Part No.	Dimensions in mm			No. of Screws	Round (mm <sup>2</sup> )	Round & Compacted (mm <sup>2</sup> )	Solid Alum. & Copper Cond. (mm <sup>2</sup> )	Hexagon key
	DØ	dØ	L					
<b>SBS10-95</b>	24	13	65	2	10-95	10-95	10-70	4mm-3/16"
<b>SBS50-240</b>	33	20	126	4	50-185	50-240	50-185	6mm-1/4"
<b>SBS95-300</b>	38	24	140	4	95-300	95-300	95-240	8mm-5/16"



### Type MF Cable Connectors

- Mechanical connector for straight through joints up to 11 Kv.
- For stranded 2 and 4 core cables.
- Ideal for jointing cables where naked flame is prohibited i.e. mining or petro-chemical industry.
- Supplied with fitting instructions.

Part No.	Core CSA (mm <sup>2</sup> )	
	Minimum	Maximum
<b>MF1/1</b>	50	95
<b>MF1/2</b>	95	185
<b>MF1/3</b>	185	300
<b>MF1/4</b>	400	500
<b>MF1/5</b>	150	300

N.B. See MF4 range on page 157



# Cable jointing

## Mechanical Connectors

### Type UM Cable Connectors

Designed for straight through mains to accept 3 or 4 core sector shaped stranded conductors incorporating the shear head screw principle for reliable connection. Supplied with fitting instructions.  
Supplied complete with brass gauze to prevent dissimilar metal reaction.



#### SECONDARY APPLICATIONS

##### (a) Solid Aluminium Conductors

These connectors can accommodate sector shaped solid aluminium conductors within the ranges specified below. For these connections the pressure-pad is normally removed.

Part No.	Core CSA (mm <sup>2</sup> )	
	Minimum	Maximum
<b>UM1</b>	35	95
<b>UM2</b>	95	150
<b>UM3</b>	185	300

##### (b) Circular Conductors

These connectors are also suitable for stranded circular conductors to BS EN 60228:2005 in the following ranges.

Part No.	Core CSA (mm <sup>2</sup> )			
	(a) Solid Aluminium		(b) Circular Conductors	
	Minimum	Maximum	Minimum	Maximum
<b>UM1</b>	70	95	35	95
<b>UM2</b>	95	150	95	120
<b>UM3</b>	185	300	120	300

### Type WM Cable Connectors

For copper and aluminium cables.

Mains branch connectors to accept 3 and 4 core sector shaped stranded conductors incorporating the shear head screw principle for reliable connection. Supplied with fitting instructions.

Supplied complete with brass gauze to prevent dissimilar metal reaction.



#### SECONDARY APPLICATIONS

These connectors can accept stranded circular conductors to BS EN 60228:2005 in the main and/or branch sides of the connector in the following ranges.

##### Stranded Sector Shaped Conductors

Part No.	Core CSA (mm <sup>2</sup> )			
	Mains		Branch	
	Minimum	Maximum	Minimum	Maximum
<b>WM1</b>	16*	95	16*	95
<b>WM2</b>	50	185	50	185
<b>WM3</b>	120	300	120	300

##### Stranded Circular Conductors

Part No.	Core CSA (mm <sup>2</sup> )			
	Mains		Branch	
	Minimum	Maximum	Minimum	Maximum
<b>WM1</b>	16*	70	16*	70
<b>WM2</b>	50	150	50	150
<b>WM3</b>	120	240	120	240

\*Conductors below 16mm<sup>2</sup> should be doubled, and if necessary, doubled again to achieve a satisfactory cross sectional area connection.

## Mechanical Connectors

### Type P Cable Connectors

For copper and aluminium cables

#### P1 connectors

- To suit all types of service cable from 2.5mm<sup>2</sup> to 35mm<sup>2</sup>
- CSA for branch and straight through connectors.
- Supplied complete with brass gauze to prevent dissimilar metal reaction.

Conductors below 6mm<sup>2</sup> should be doubled, and if necessary, doubled again to achieve a satisfactory cross sectional area connection.



### Type US Cable Connectors

For copper and aluminium cables

Ideal for connecting stranded circular/sector shaped services to 3 or 4 core stranded sector shaped mains conductors. Supplied with fitting instructions.

Contact SWA for technical data.



Part No.	Core CSA (mm <sup>2</sup> )		
	Mains		Service
	Minimum	Maximum	Maximum
<b>US1</b>	50	95	35
<b>US2</b>	120	150	35
<b>US3</b>	185	300	35

### Type MF Cable Connectors

Designed for straight connections on stranded or solid service cables, made in brass to be suitable for jointing copper/aluminium and sector/ circular conductors.

Part No.	Type	Core CSA (mm <sup>2</sup> )	
		Minimum	Maximum
<b>MF4/1</b>	Straight through	6*	16
<b>MF4/2</b>	Straight through	16	50
<b>MF4/3</b>	Moisture blocked	6*	16
<b>MF4/4</b>	Moisture blocked	16	50

\*Conductors below 6mm<sup>2</sup> should be doubled, and if necessary, doubled again to achieve a satisfactory cross sectional area connection.

N.B. See MF1 range on page 155



# Cable jointing

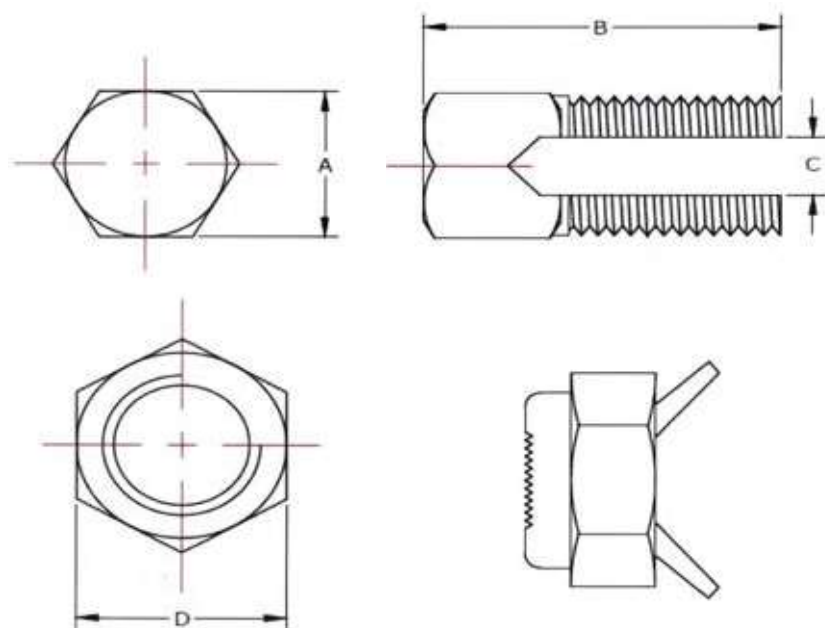
## Mechanical Connectors

### Line Taps

**Material:** Brass

**Finish:** Nickel-plated

**Standard:** BS 7430:2015



Part No.	Cable Size (mm <sup>2</sup> )	Dimensions in mm			
		A	B	C	D
LT610	6	10.0	24.0	4.0	12.7
LT10	10	14.5	27.3	6.0	19.0
LT16	16	12.7	27.3	5.5	19.0
LT25	25	15.0	28.9	6.9	19.0
LT35	35	18.0	34.8	8.1	24.0
LT50	50	23.0	42.0	9.6	27.3
LT70	70	23.0	47.5	11.2	30.0
LT95	95	25.4	53.0	14.0	34.3
LT120	120	30.0	59.0	16.0	35.6
LT150	150	30.0	59.0	16.0	35.6

Sold in eaches

To see a video explaining techniques and best practice scan the QR code

