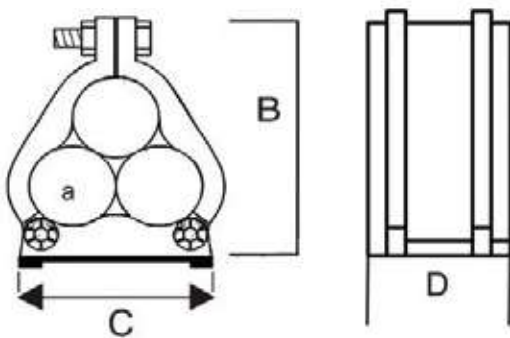


Single Hole Fixing Trefoil Type Cleat

- Suitable for use with low, medium and high voltage single core cables in Trefoil formation
- Suitable for cable diameters 25mm to 51mm
- Complete with fastening bolt
- Manufactured from aluminium alloy
- Suitable for all types of cable routes
- Plain finish for indoor and outdoor unpolluted environments
- Available in epoxy coating for harsh and hostile conditions (P.O.A.)
- Continuous operating temperature: -40°C to +110°C



Standard: BS EN 61914:2016



Part No.	Dimensions in mm				
	Cable diameter – A		B	D	C
	Min	Max			
ATFC25-27	25.0	27.0	89	38	75
ATFC28-30	28.0	30.0	99	43	84
ATFC30-32	30.0	32.0	104.5	38	90
ATFC32-34	32.0	34.0	102	37	96
ATFC34-35	34.0	35.0	109	39.5	101.5
ATFC35-36	35.0	36.0	112	41	105
ATFC36-38	36.0	38.0	115	42	108
ATFC38-40	38.0	40.0	123	45	115.5
ATFC40-41	40.0	41.0	130.5	46.5	119.5
ATFC41-43	41.0	43.0	126	38	110
ATFC43-44	43.0	44.0	139.5	50.5	129
ATFC44-46	44.0	46.0	141	51.5	132
ATFC46-48	46.0	48.0	149.5	53.5	138
ATFC48-49	48.0	49.0	131	38	121
ATFC49-51	49.0	51.0	159	57	146.5

Sold in eases

Note: Other sizes available upon request.

Disclaimer: The dimensions provided are for guidance only and BICC Components Ltd reserves the right to change these without prior notification.