

Cable fixings

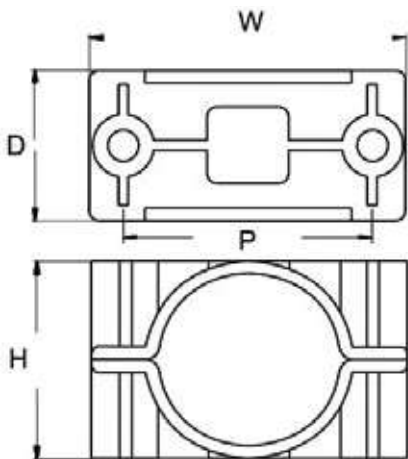
Cable Cleats

Aluminium Cable Cleat (Two Bolt)

- Suitable for use with cables from diameter 51mm to 83mm
- Two piece, two fixing design
- Can be double stacked on common fixing
- Continuous operating temperature: -40°C to +110°C
- Two bolt fixing type (ATC)
- Plain finish – for indoor dry normal industrial use or outdoor unpolluted areas
- Epoxy coated available for more hostile conditions (P.O.A.)



Standard: BS EN 61914:2016



Part No.	Dimensions in mm				Fixing hole
	W	H	D	P	
ATC51-57	98.5	61.5	49	76	M10
ATC57-64	118	69	48.5	95	M10
ATC64-70	115	84.5	43.5	90	M10
ATC70-76	134	87	47	106	M10
ATC76-83	141.5	96	51	116	M12

Sold in eases

Note: Other sizes available upon request.

Disclaimer: The dimensions provided are for guidance only and BICC Components Ltd reserves the right to change these without prior notification.

To see a video explaining techniques and best practice scan the QR code

